

STATE OF WISCONSIN  
 WISCONSIN DEPARTMENT OF TRANSPORTATION  
 TOWN PLAT RECORD

55 - 042

TOWN OF  
**WARREN**  
 COUNTY: ST. CROIX

DATE	MILEAGE FOR LOCAL ROADS/STREETS
(1) 4-1-10	48.00
(2) 1-1-11	.
(3) 4-1-11	.

**Town of Warren Roads  
 2015 Road Plan**

**Crack Sealed Roads**            15 CS

**Seal Coat Roads**                15 SC

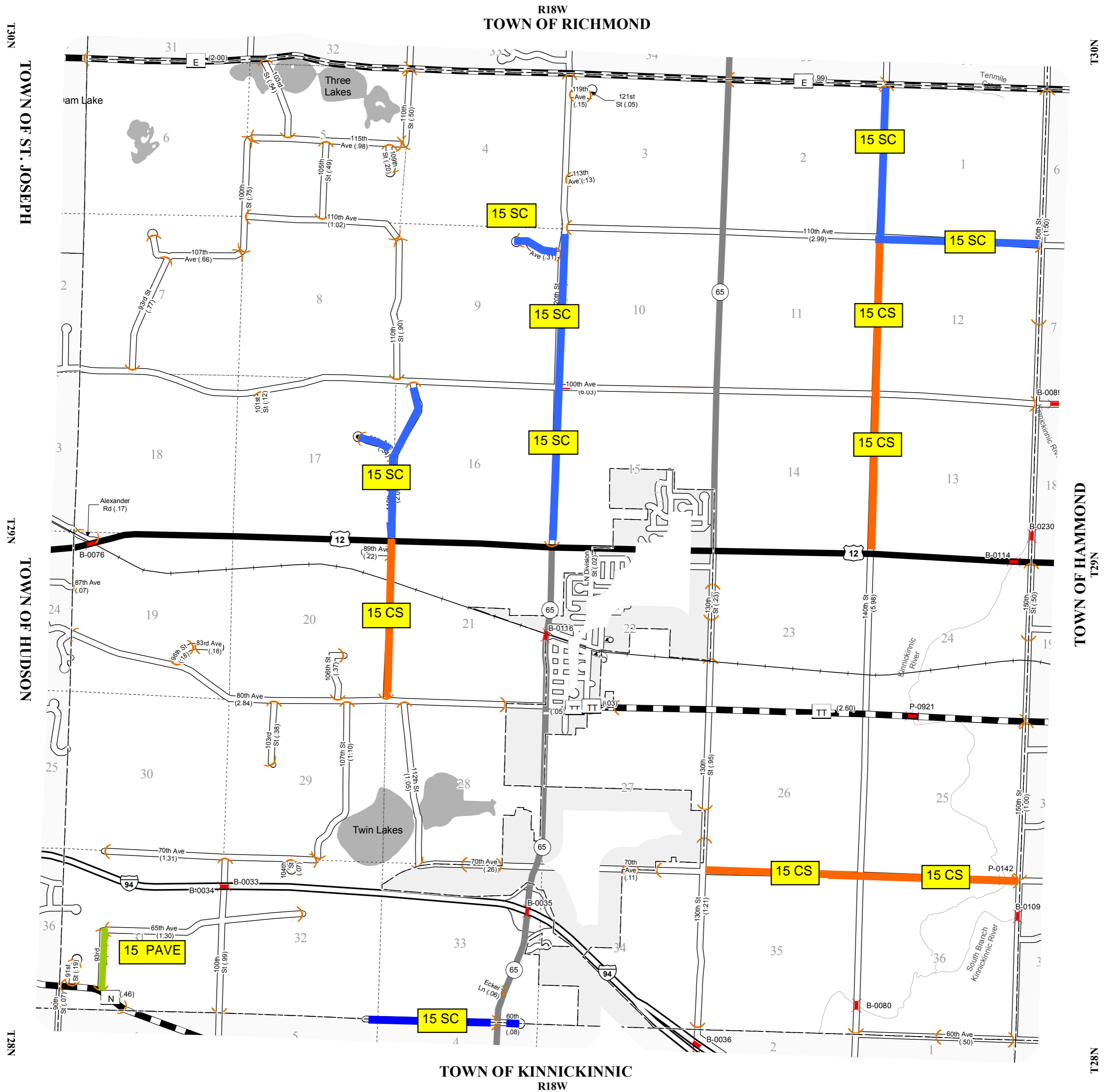
**Paving Project**                  15 PAVE

MILEAGE FOR COUNTY TRUNKS	MILEAGE FOR COUNTY OTHER ROADS
6.13	00.00

(1) THIS DATA REPRESENTS THE BEEN USED FOR PAST TRANS

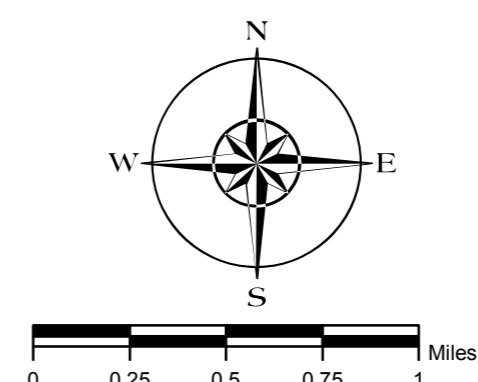
(2) THE TOWN CHAIRMAN OR CIT PUBLIC AS OF THE FOLLOWIN

(3) THIS DATA REPRESENTS MILEAGE ADJUSTMENTS MADE BY WISDOT DUE TO FIELD VERIFICATION, INVENTORY, ANNEXATION, ETC. TRANSPORTATION AID PAYMENTS MAY BE MADE BASED ON THIS FIGURE.



**LEGEND:**

County Trunk Highway	State On/Off Ramp
Local Road	Railroad
Park Road-Local	CVT Border
Interstate Highway	PLSS Border
US Highway	Bridge
State Trunk	Route Identifier



The information contained on this map was created for the official use of the Wisconsin Department of Transportation (WisDOT). Any other use while not prohibited, is the sole responsibility of the user. WisDOT expressly disclaims all liability regarding fitness of use of the information for other than official WisDOT business.